

Original document published in Technical Bulletin no. 33

Code of Practice for filling tanks containing pesticides from a main water supply

For use as a specified standard in
accordance with the *Controlled
Substances (Pesticides) Regulations*
2003



Government
of South Australia

SA Health

1. SCOPE

This code describes methods for filling pesticide spray tanks or containers from the mains water supply. It provides details of suitable filling devices approved for this purpose.

2. APPLICATION

This code is intended for use by professional pest controllers and technicians.

3. APPROVED DEVICES

- 3.1** All vehicles fitted with or carrying tanks or other containers for the purpose of mixing and/or applying pesticides shall be fitted with one of the filling devices shown in Figures 1, 2, 3(a), 3(b), 4 or 5 or a device individually approved by the Licensing Authority.
- 3.2** Such devices shall be affixed to the vehicle or spray tank as indicated in figure 6(a) or 6(b).
- 3.3** The vehicle shall carry sufficient length of hose permanently attached to the approved device to permit filling of the tank or container from the mains water supply. Hoses used for filling spray tanks or containers shall not be used for any other purpose.
- 3.4** The vehicle shall carry a variety of hose fittings to enable the filling hose to be connected to 12, 18, and 25mm threaded taps and fittings to enable it to be connected to unthreaded taps.

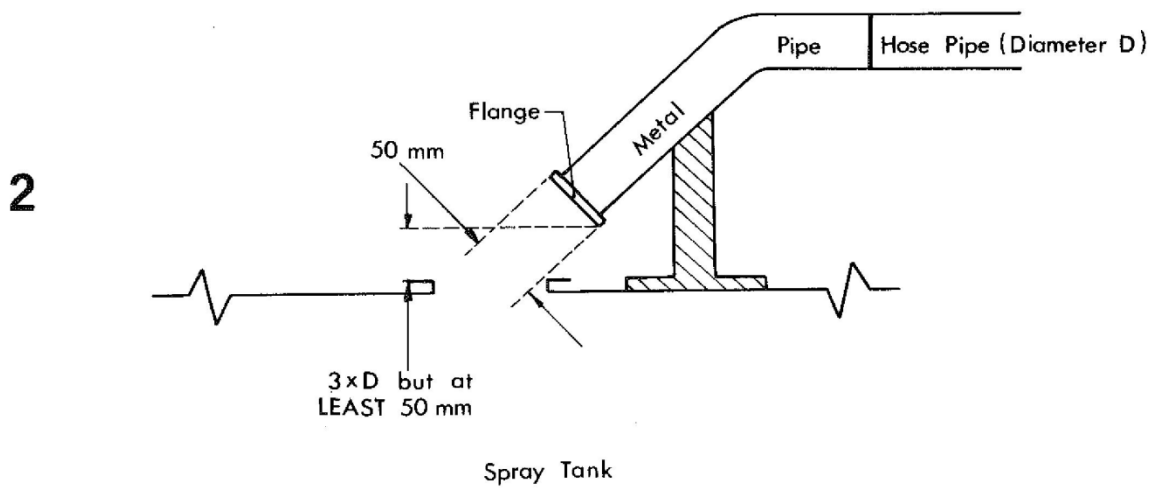
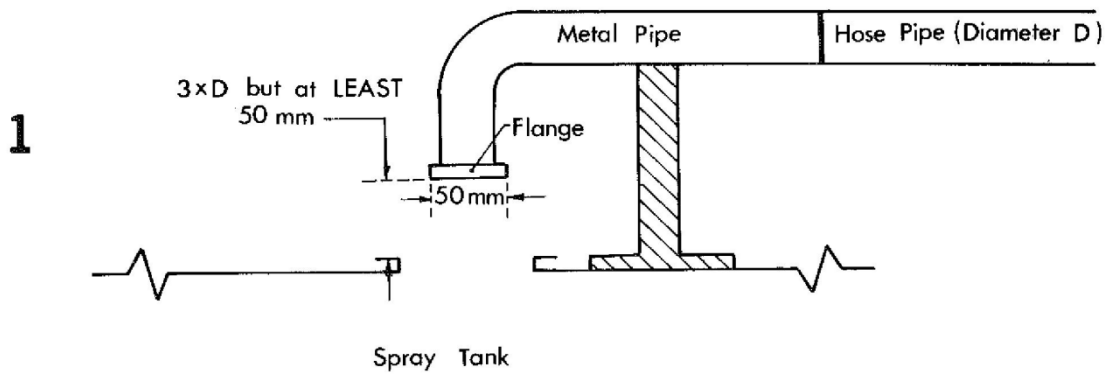
4. METHOD

- 4.1** All mains water used for filling pesticides tanks or container shall pass through the approved device and attached hose.
- 4.2** No other hose attached to the mains water supply shall be used in association with pesticides or be placed in or attached to the pesticides tank or container.

5. MAINTENANCE OF DEVICES

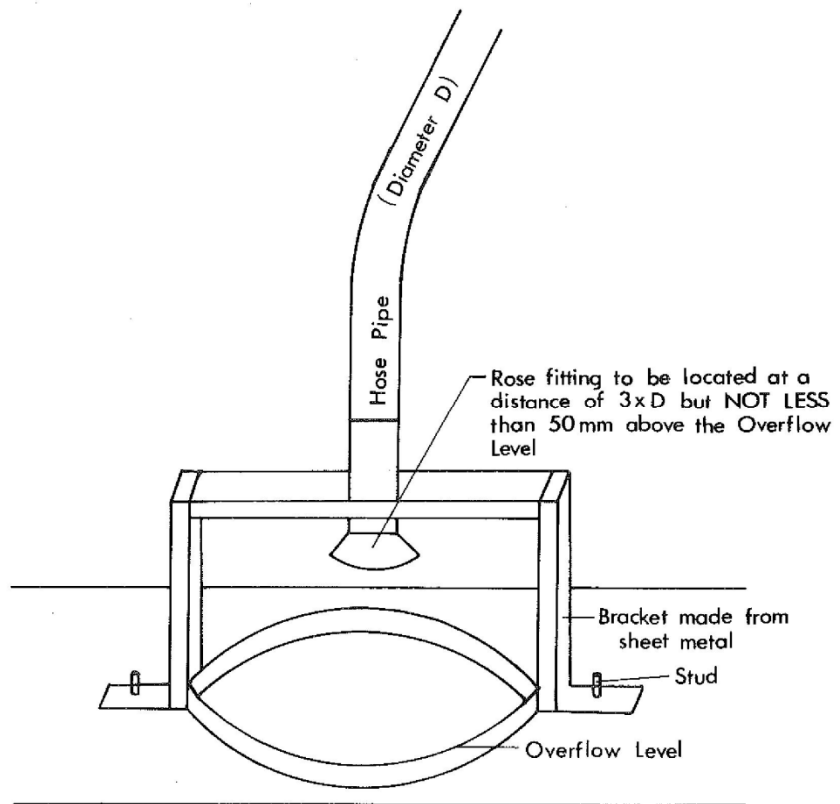
All approved devices, hoses and fittings shall be maintained in a clean and efficient working order.

Approved Devices for Filling Tanks Containing Pesticides from Mains Water Supply

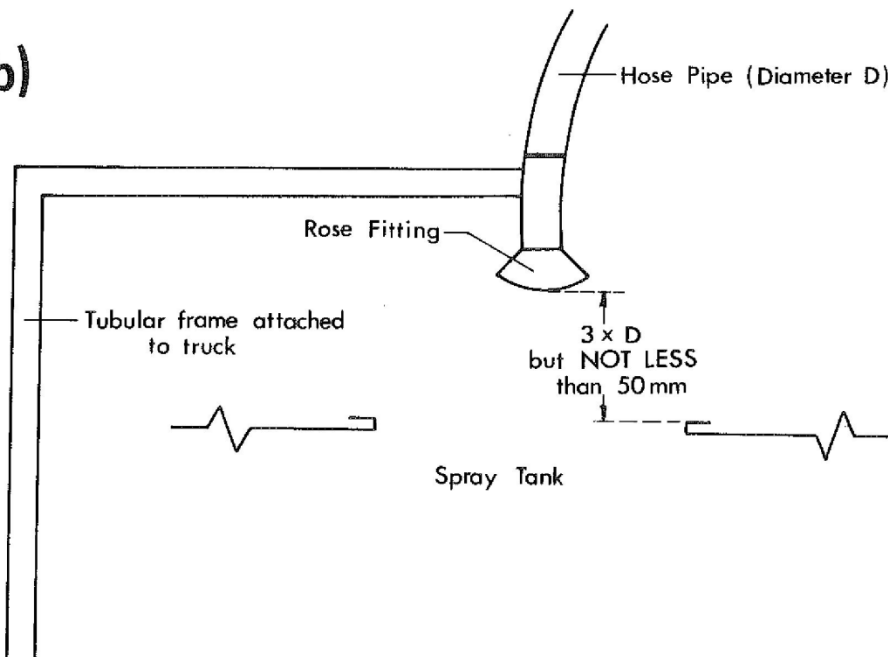


Approved Devices for Filling Tanks Containing Pesticides from Mains Water Supply

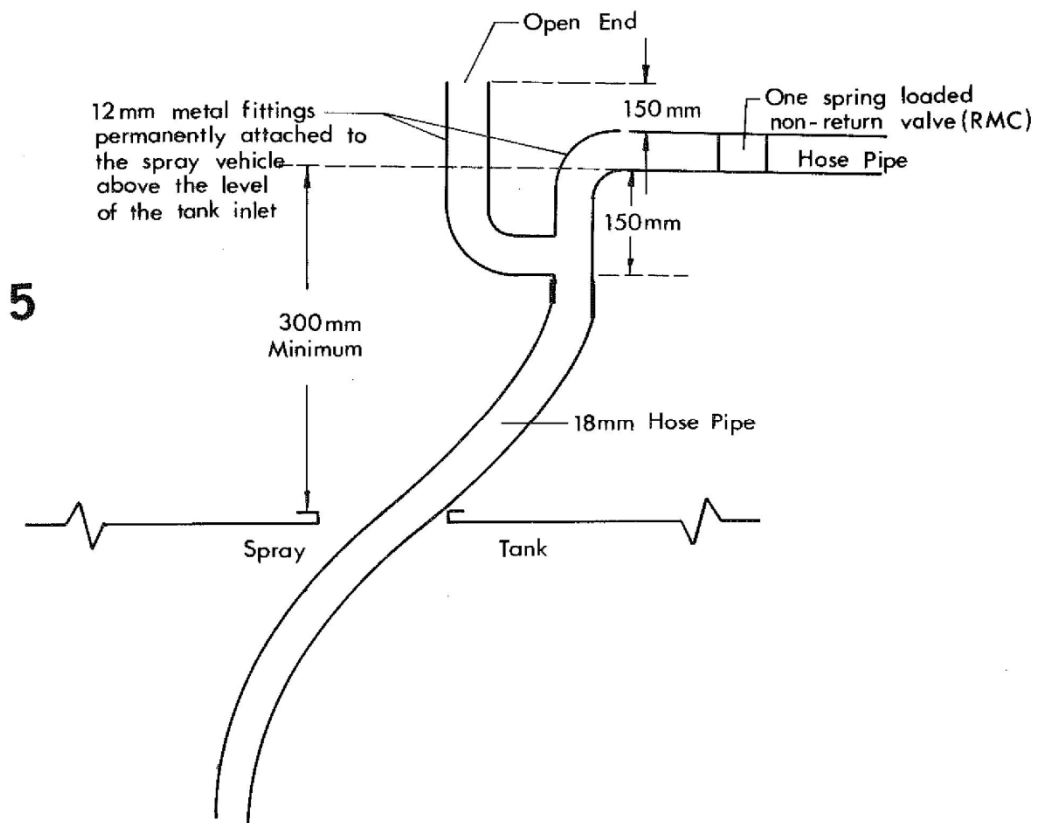
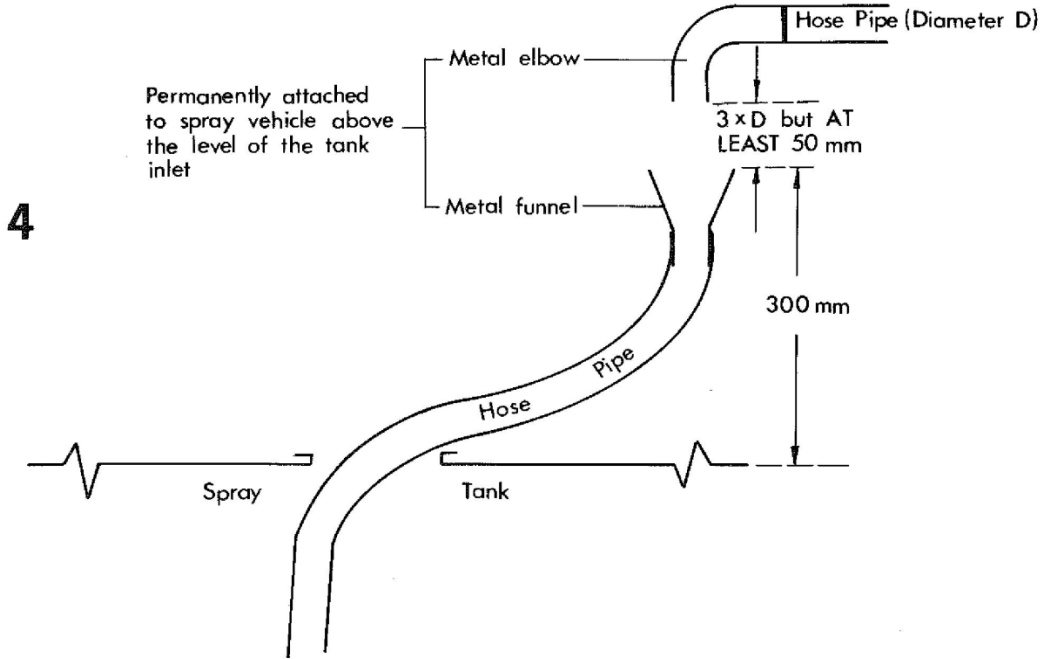
3(a)



3(b)



Approved Devices for Filling Tanks Containing Pesticides from Mains Water Supply



Approved Devices for Filling Tanks Containing Pesticides from Mains Water Supply

